



PLANET FRIENDLY®
Est. 1994

Eliminating Chloramines in Public Pools

By: Mike Dewar

ECOsmarte has adopted the European standard in its approach to public pools – with a possible twist from Canada and Australia. This approach is in direct conflict with legislative trends in the United States, led by recent changes in law by FLA and California, which permit as high as 50 full parts chlorine with swimming permitted.

In Europe the pool operator is required to close the pool if total chlorine exceeds 1.5ppm, and further they permit a .5ppm minimum level when .4ppm copper is present. According to Jeff Grotte, Chief Mechanical Officer for ECOsmarte, public pools are required to count daily swimmers, exchange water at 35 liters per day per swimmer and ultimately close the pool when their allotted maximum daily bather load is reached.

“Americans have been unwilling to regulate total swimmers per day and most states require a 5% water exchange daily, even with few swimmers,” according to Larry Couture, CEO of ECOsmarte.

The Europeans recognized human health issues with chloramines in the 1990’s and additionally recognized that the daily bather load and the 1 BILLION skin cells and one quart of uric acid per swimmer were the public safety and water treatment challenges.

“We simply won’t sell our product to a public swimming pool that will not count swimmers. We insist on that along with the already required daily water testing,”
Couture continued.

ECOsmarte points uncouncted or high bather load pools to its glasspackfilter.com website, with the glass pack filter media able to achieve 2 micron filtration with both skin cells and ECOLI microbes averaging 9 microns in size.

“The oxygen permits the chlorine from combinating, taking the bulk of the purification.”



Golden Bay, 2005 New Zealand



Dude Ranch, 2003 Colorado



Aragon, 2001 Spain

Testimonials at www.ecosmarte.com

1600 East 78th St. Richfield, MN 55423
(612)866-1200 (800)466-7946 US, Canada, Mexico
www.ecosmarte.com
www.glasspackfilter.com



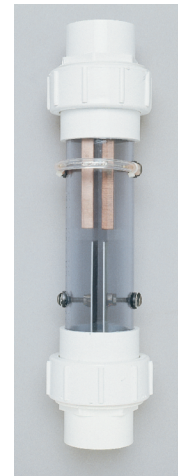
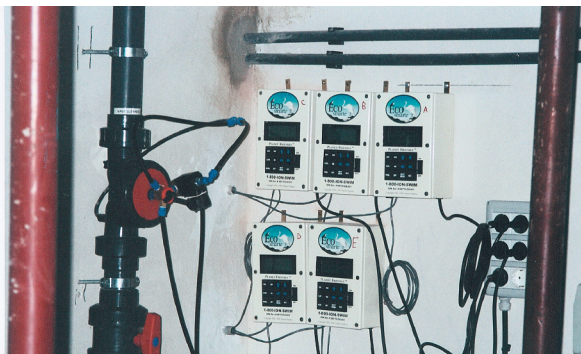
PLANET FRIENDLY®
Est. 1994

“The area where the US swimming pool regulations lead the world is in filter bed depth and pump flow requirements so we know the glass media will achieve the 2-5 microns to get the skin cells and bacteria out of the pool on the first pass,” Couture added.

For all global sites willing to install the glass pack media and limit swimmers per day, ECOsmarte offers its natural oxygen, ionic copper and CO2 control systems. The CO2 system is optional if reliable acid dosing and sensory systems are already in place.

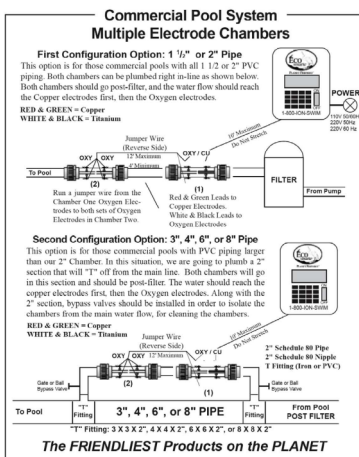
The O2 oxygen is delivered at 40 grams per minute, per cell and multiple cells can outperform even the largest Ozone generators available, according to ECOsmarte.

The O2 does a very efficient job of dealing with uric acid and body oils, and delivers free chlorine numbers equal to total chlorine, automated by a ppm sensor.



Commercial Pool System Multiple Electrode Chambers

These 5 controllers drive a 750,000 gallon, 1,500 swimmers per day site. 12 cu/ox/y chambers, with the ph controllers that existed driven by sensors.



MECHANICAL & PLUMBING

Operating Press. Max. 150 PSIG
Operation Temp. Max. 120° F
Tank listing and structural integrity requirements only.

OXYGEN ELECTRODES
Proprietary composite material
IONIZATION ELECTRODES
100% Pure Copper

TECHNICAL SPECIFICATIONS

ELECTRICAL

Input Voltage: 110 to 267 Volts, Specify
Output Voltage: 100 VA Class UL CSA
Compliance Power Supply
ETL to UL 1081
Daily Bather Load and Pool Size
Required for Quote

Glass Pack®



1600 East 78th St. Richfield, MN 55423
(612)866-1200 (800)466-7946 US, Canada, Mexico
www.ecosmarte.com
www.glasspackfilter.com